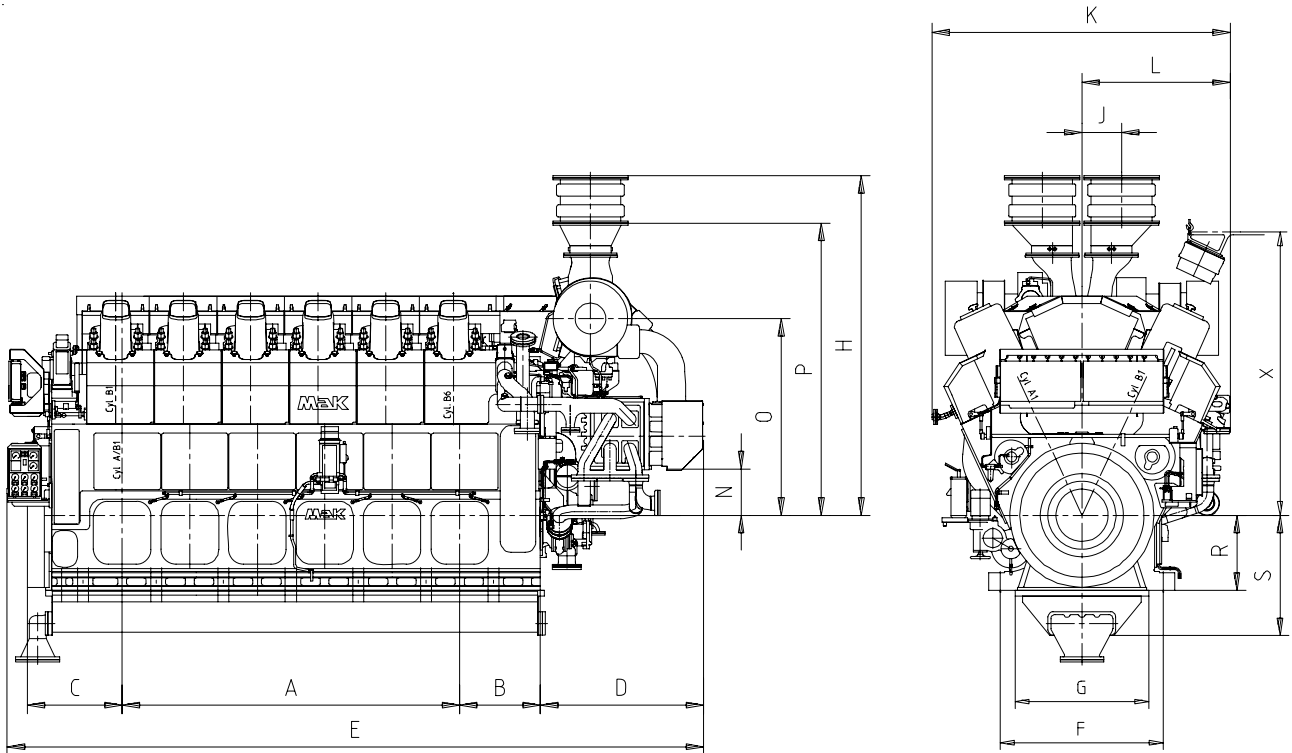


6. Engine dimensions

Turbocharger at free end



Engine Type	Dimensions [mm]																	Dry weight with flywheel [t]
	A	B	C	D	E	F	G	H	J	K	L	M	N	O	P	R	S	
12 M 32 C	3375	807	949	1630	6963	1630	1338	3395	396.5	2985	1485	1307	464	1968	2920	750	1205	64.4
16 M 32 C	4725	807	949	1630	8313	1630	1338	3350	553	2923	1488	1211	464	1899	2806	750	1205	81.6

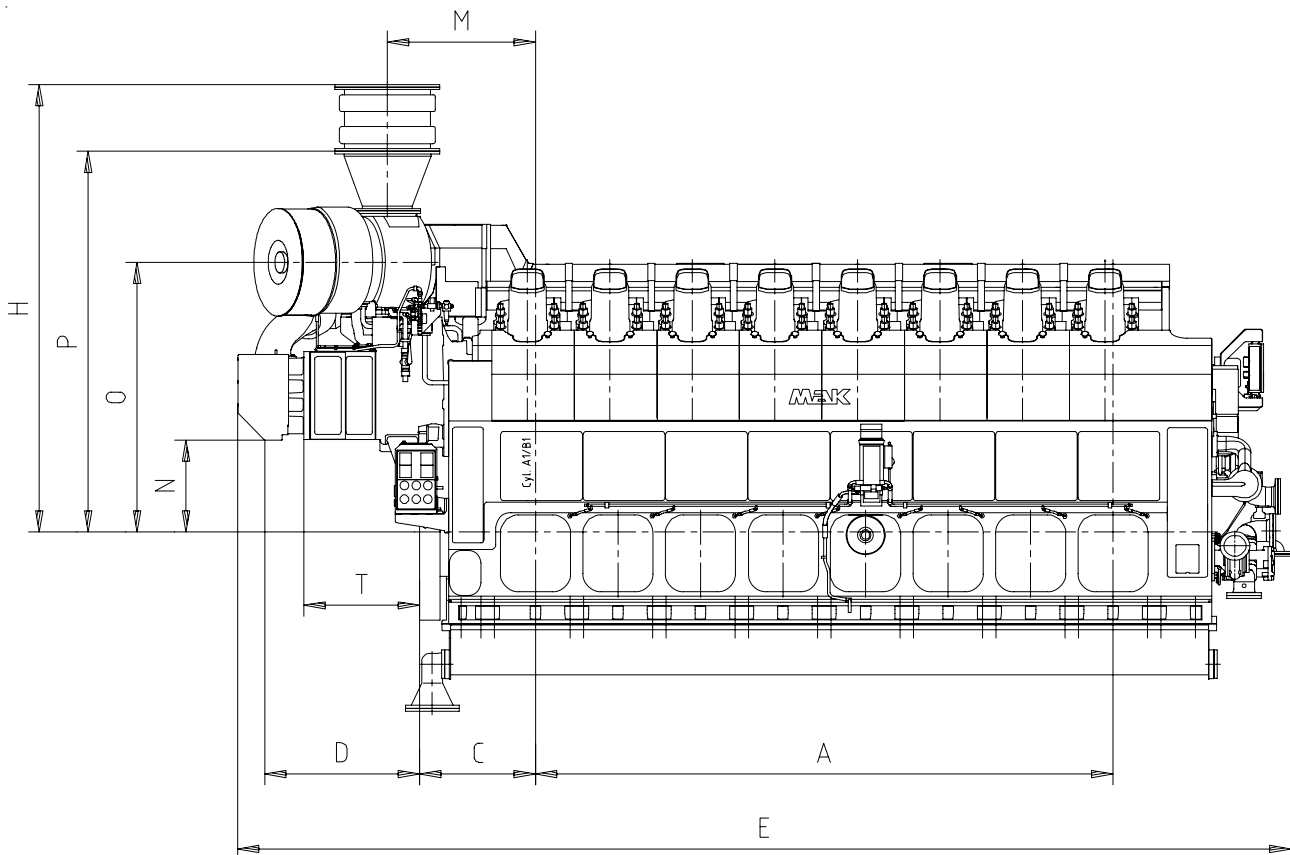
Removal of:

Piston and cylinder liner in transverse direction $X = 2834\text{mm}$

Engine centre distance 3500 mm
(2 engines side by side)

6. Engine dimensions

Turbocharger at driving end



Engine Type	Dimensions [mm]									Dry weight with flywheel [t]
	A	B	C	D	E	M	N	O	P	
12 M 32 C	ask for availability									
16 M 32 C	4725	949	1264	8616	1211	753	2205	3113	945	81.6

Removal of:

Piston and liner in transverse direction X = 2836mm

Engine centre distance 3500 mm
(2 engines side by side)

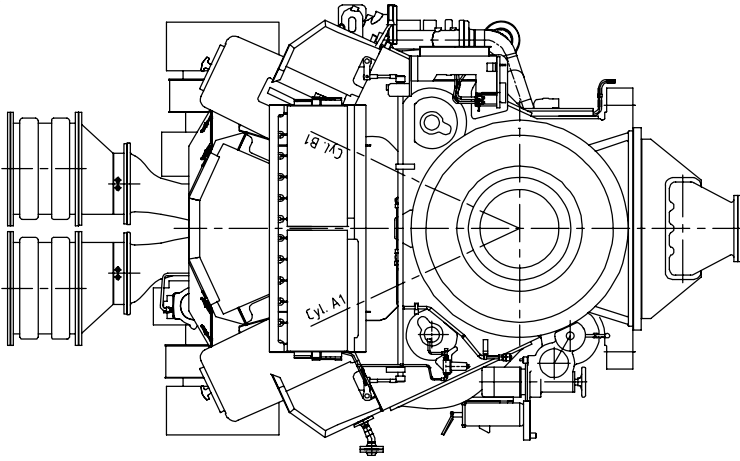
6. Engine dimensions

12 M 32 C, Turbocharger at driving end

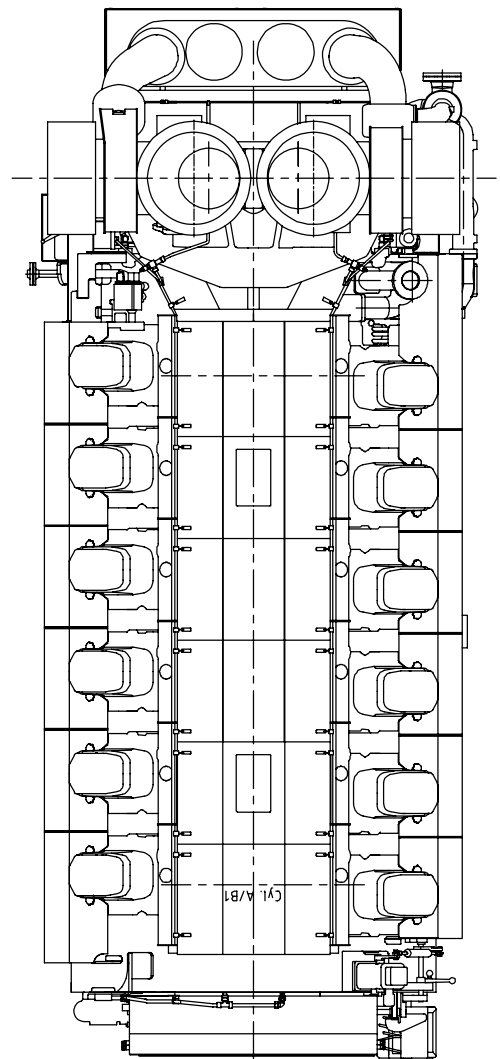
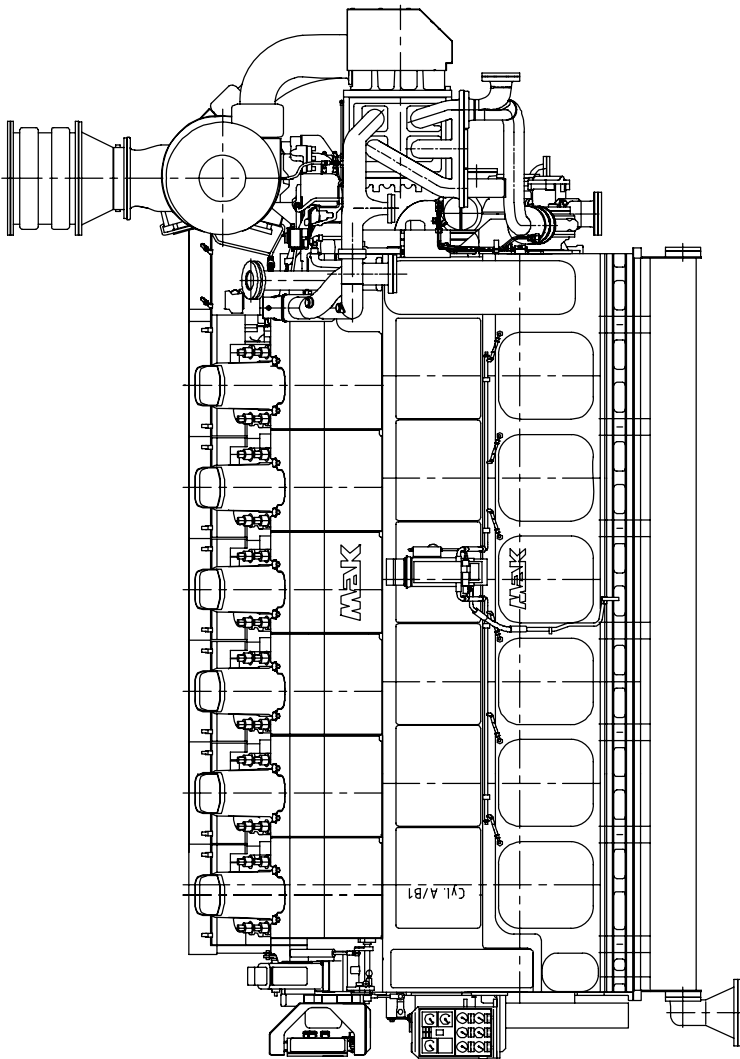
ask for availability

6. Engine dimensions

12 M 32 C, Turbocharger at free end

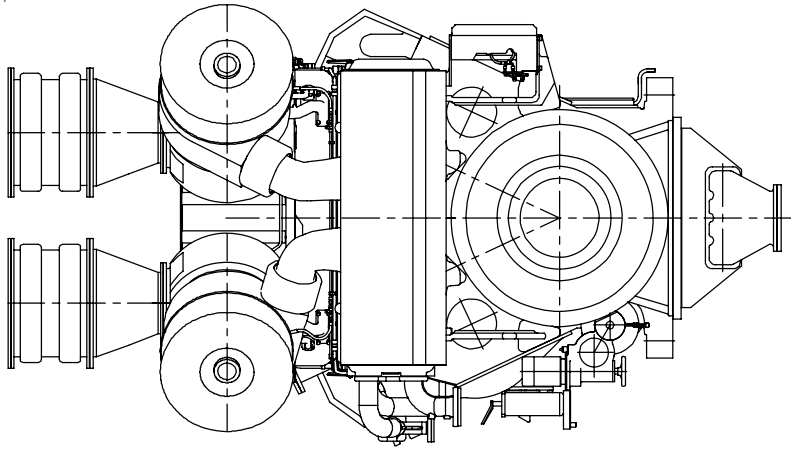


Scale 1 : 50

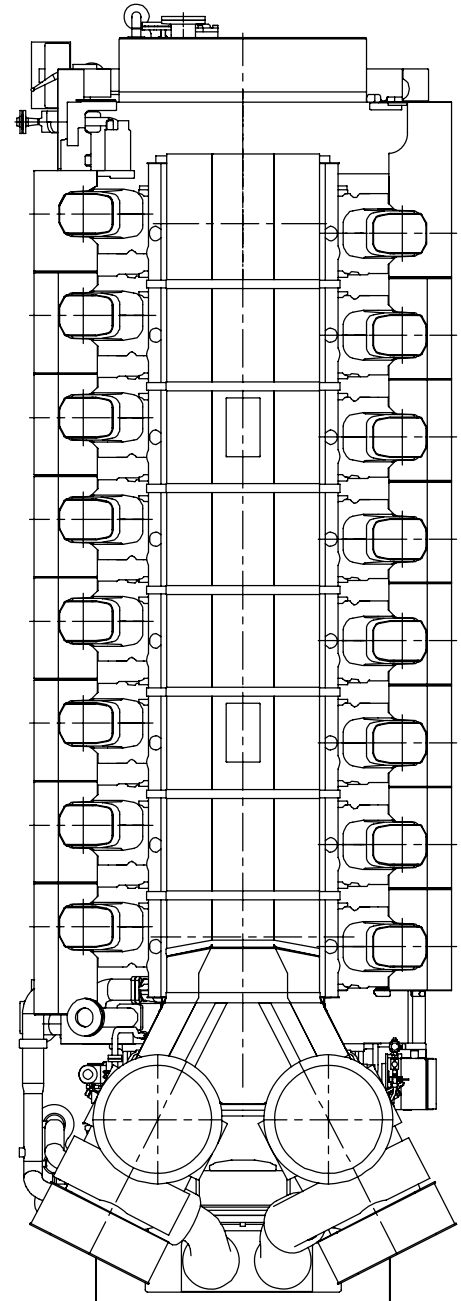
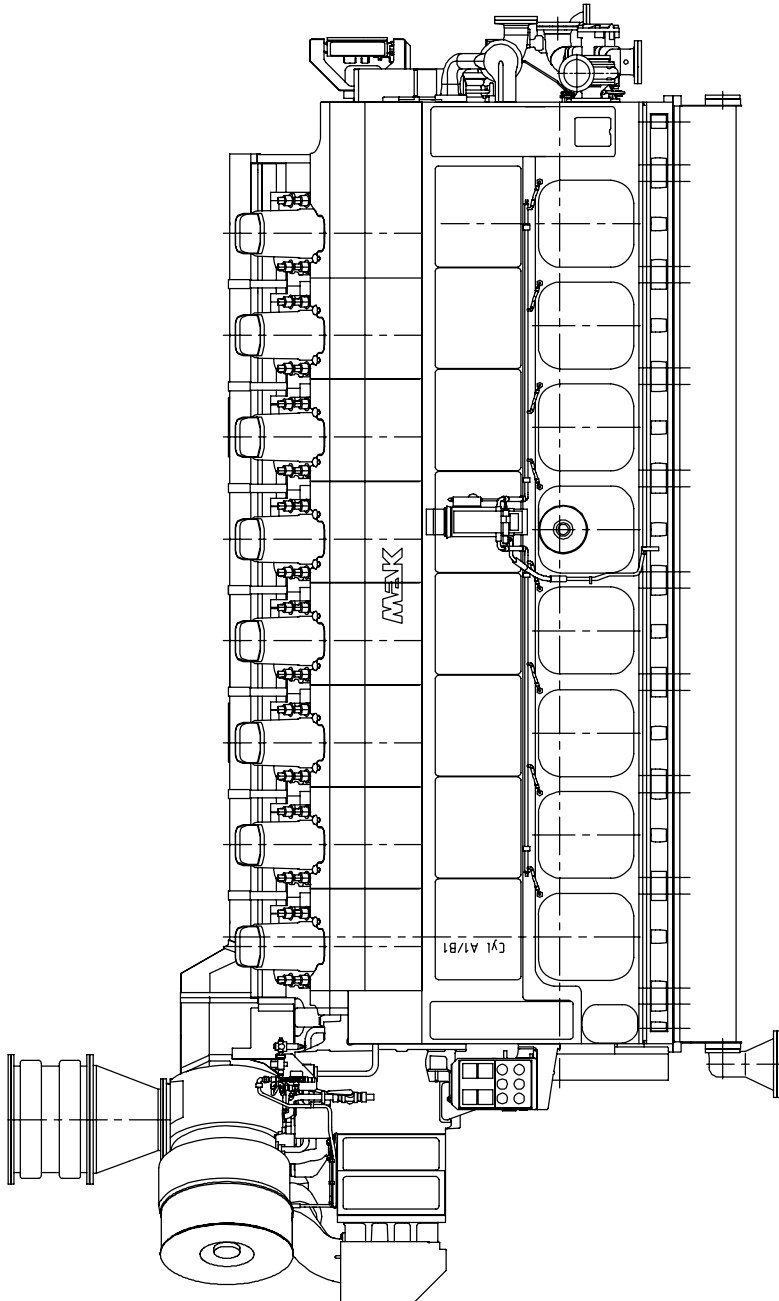


6. Engine dimensions

16 M 32 C, Turbocharger at driving end

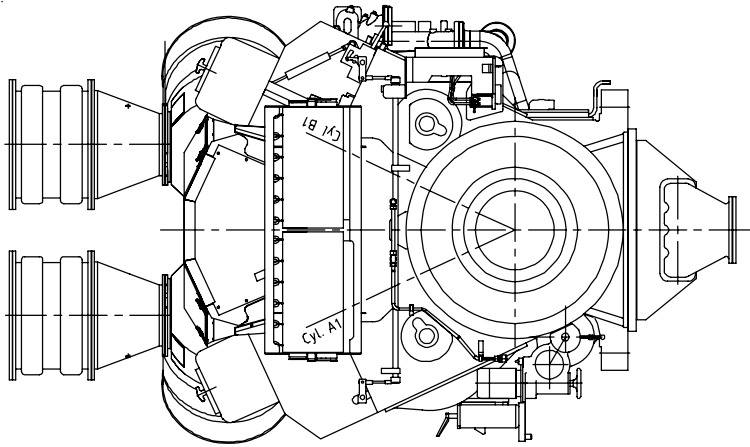


Scale 1 : 50



6. Engine dimensions

16 M 32 C, Turbocharger at free end



Scale 1 : 50

