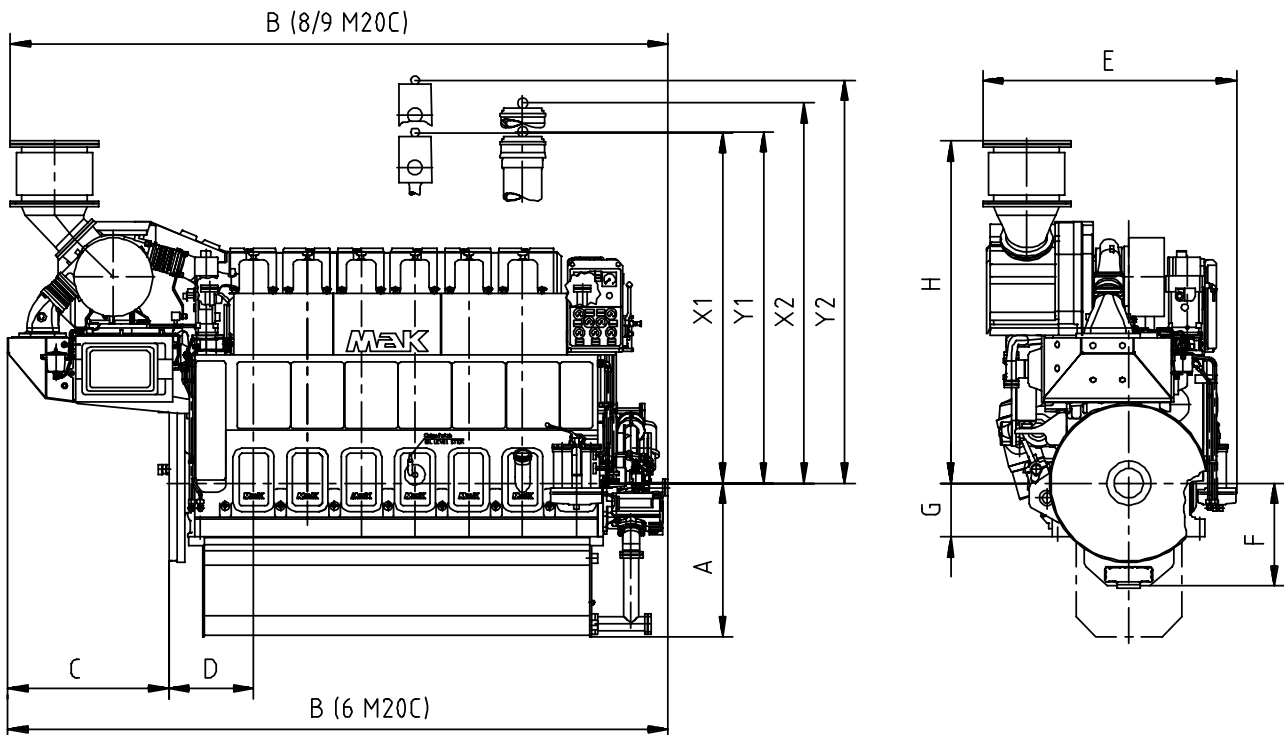


## 6. Engine dimensions

### Turbocharger at driving end



Engine type	Dimensions [mm]								Weight with flywheel [t]
	A	B	C	D	E	F	G	H	
6 M 20 C	941	4049	988	520	1558	630	330	2099	10.7
8 M 20 C	941	4846	1123	520	1693	630	330	2235	14.0
9 M 20 C	941	5176	1123	520	1693	630	330	2235	15.0

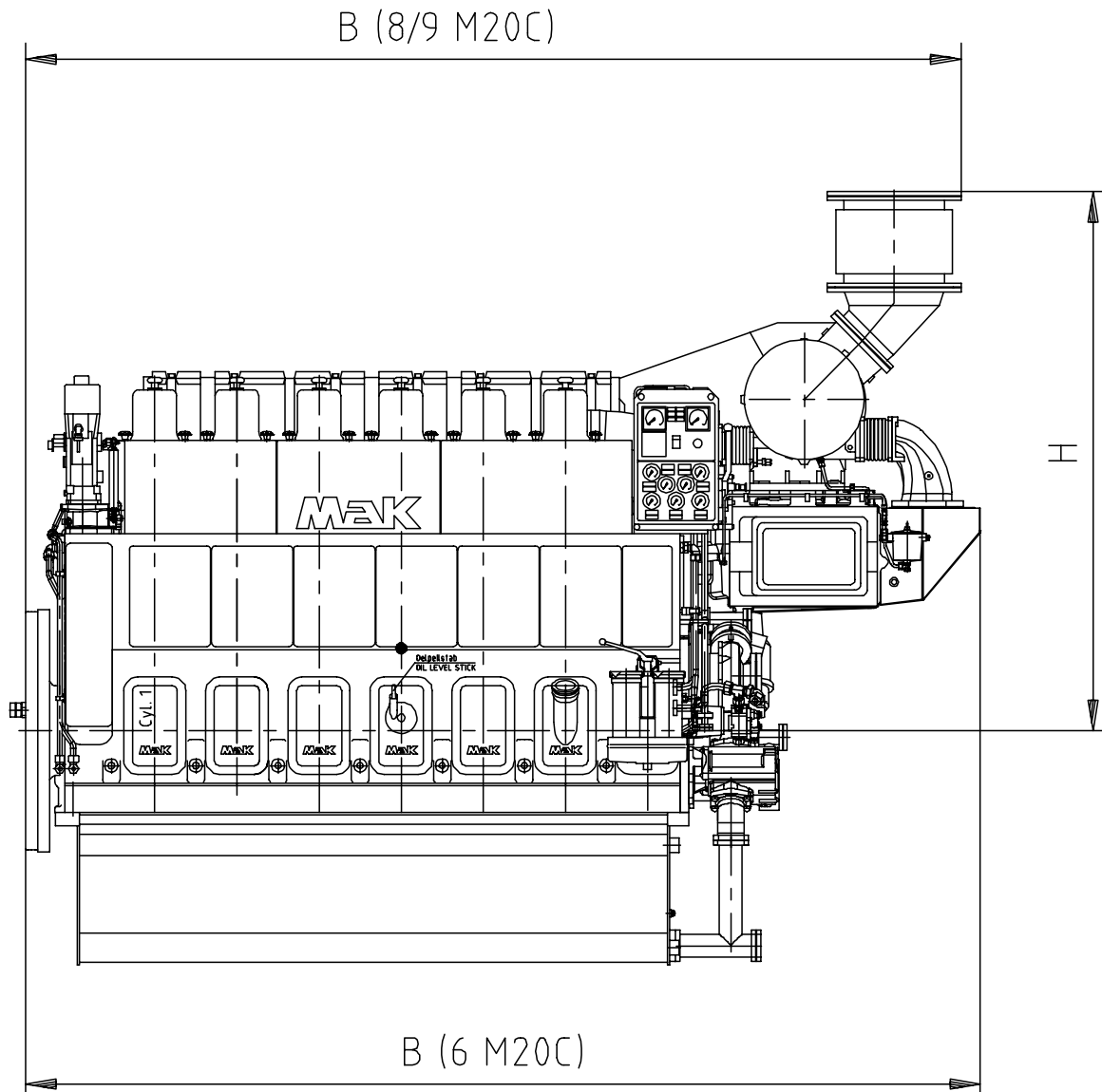
### Removal of:

**Piston**      in transverse direction    X1    =    1905 mm  
                   in longitudinal direction    X2    =    2225 mm

**Cylinder Liner**    in transverse direction    Y1    =    1910 mm  
                           in longitudinal direction    Y2    =    2085 mm

## 6. Engine dimensions

### Turbocharger at free end

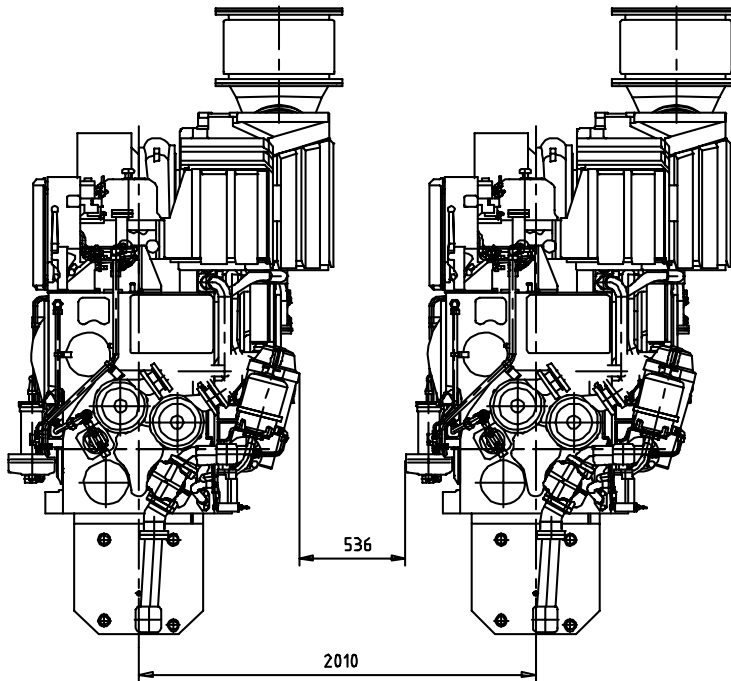


Engine type	Dimensions [mm]	
	B	H
6 M 20 C	3838	2164
8 M 20 C	4573	2335
9 M 20 C	4903	2335

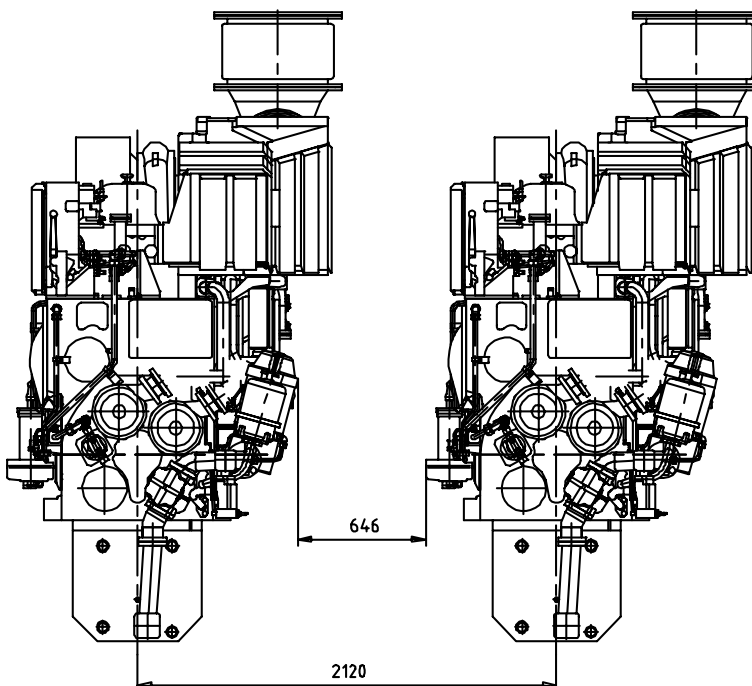


## 6. Engine dimensions

### Engine centre distance



Minimum distance



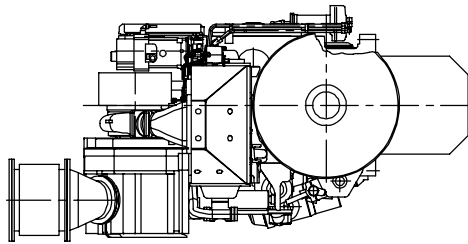
Recommended distance

Dimensions [mm]

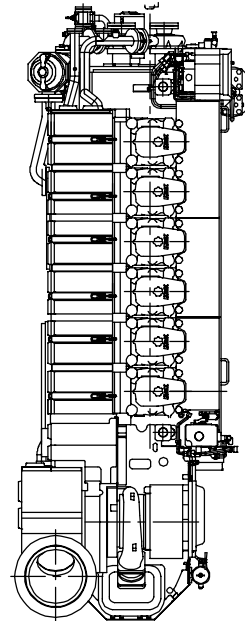
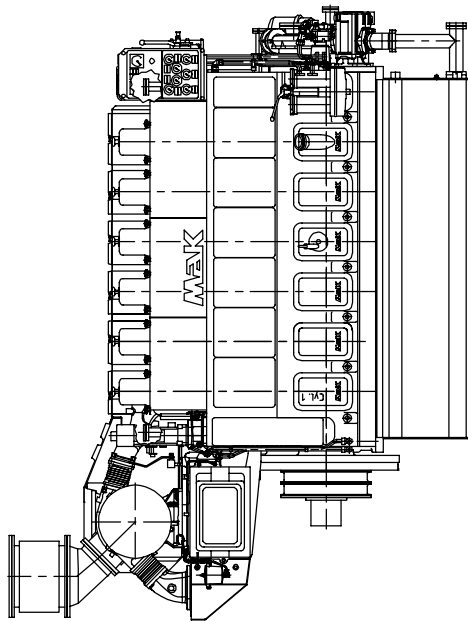


## 6. Engine dimensions

6 M 20 C, Turbocharger at driving end



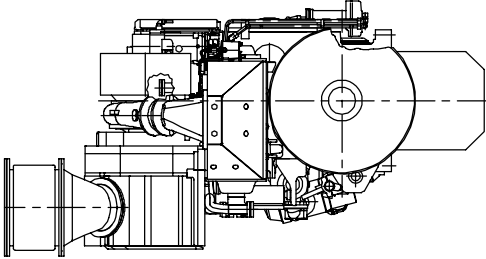
Scale 1 : 50



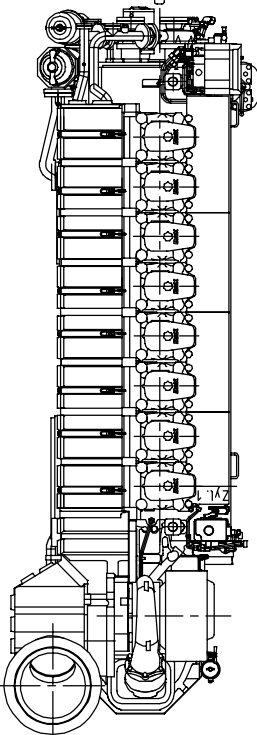
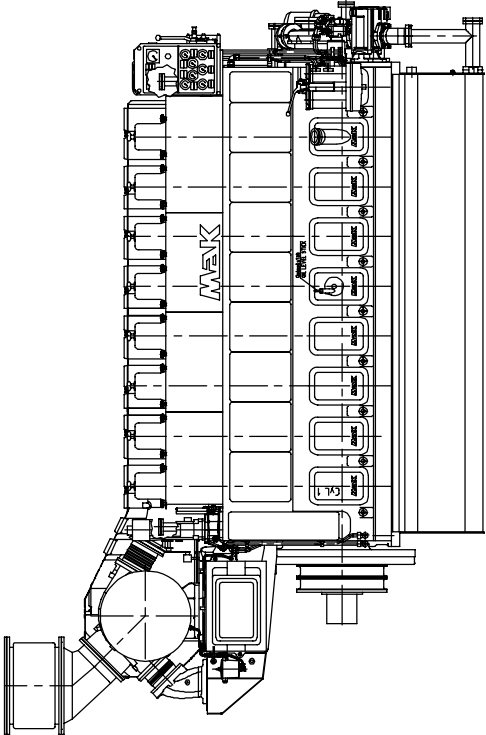


# 6. Engine dimensions

## 8 M 20 C, Turbocharger at driving end



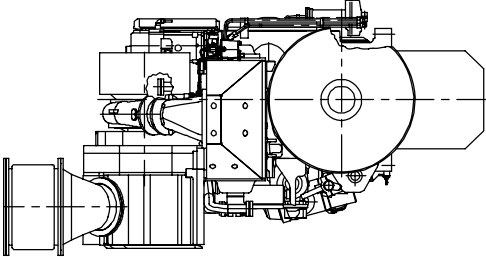
Scale 1 : 50



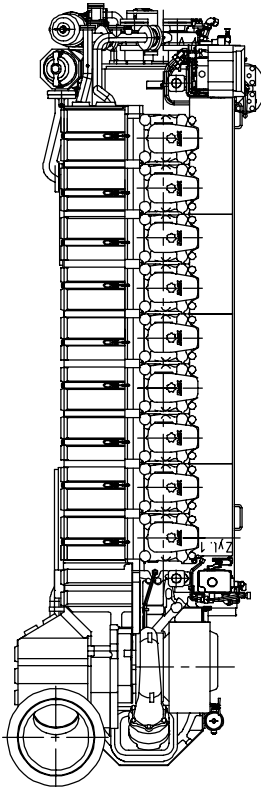
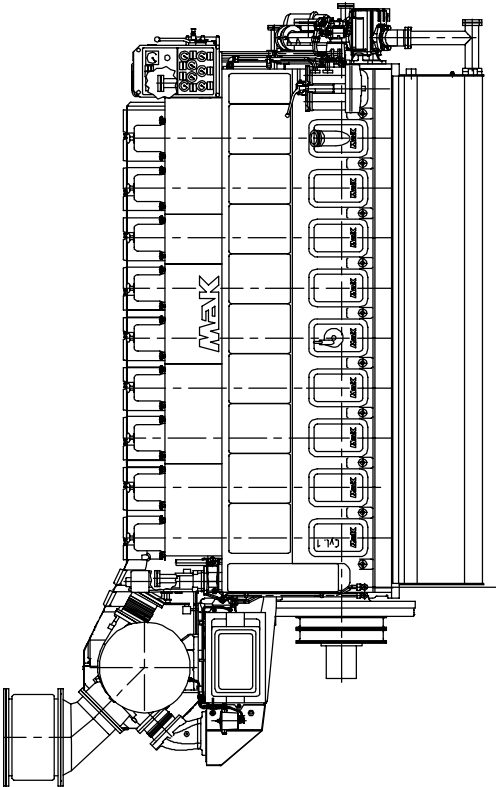


# 6. Engine dimensions

9 M 20 C, Turbocharger at driving end



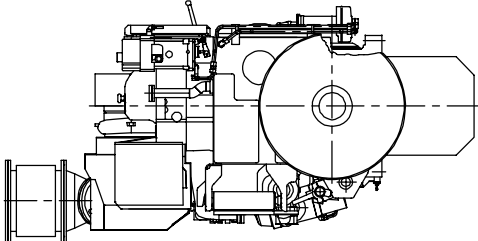
Scale 1 : 50



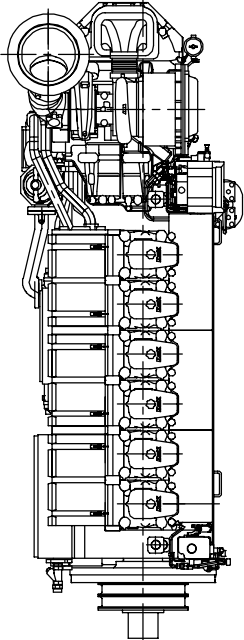
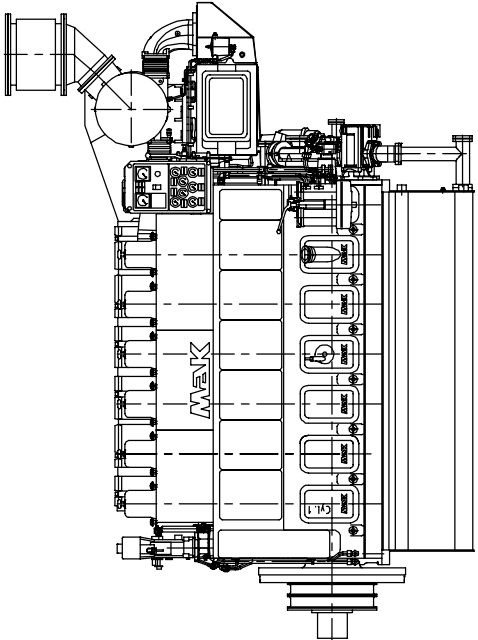


# 6. Engine dimensions

6 M 20 C, Turbocharger at free end



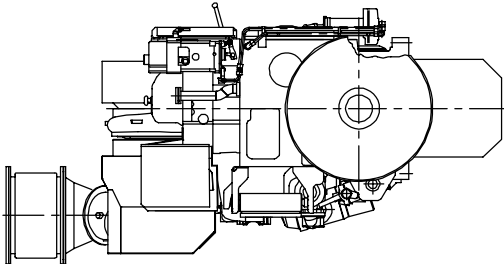
Scale 1 : 50



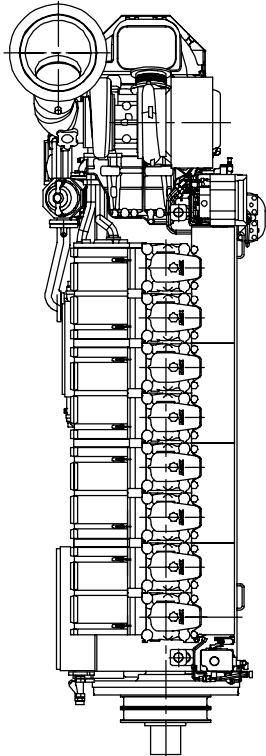
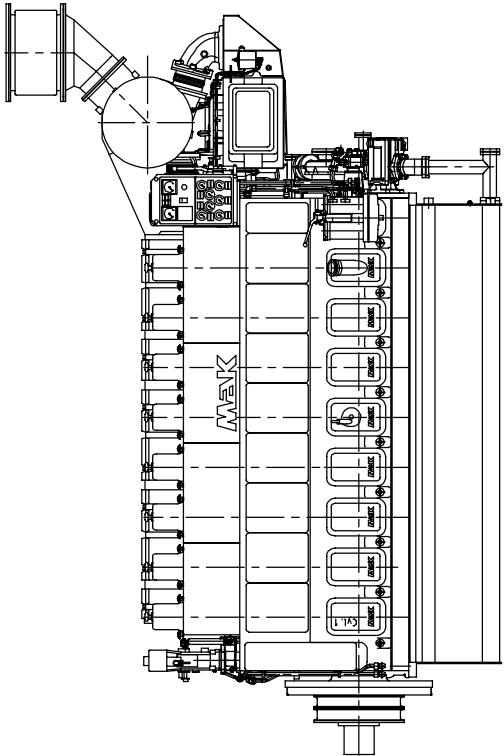


# 6. Engine dimensions

## 8 M 20 C, Turbocharger at free end



Scale 1 : 50

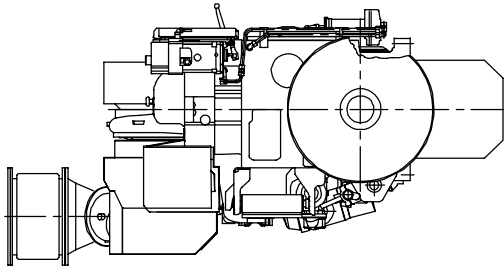






## 6. Engine dimensions

### 9 M 20 C, Turbocharger at free end



Scale 1 : 50

