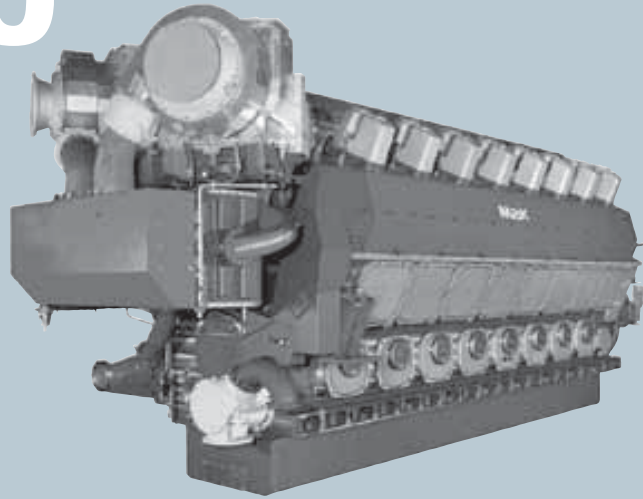


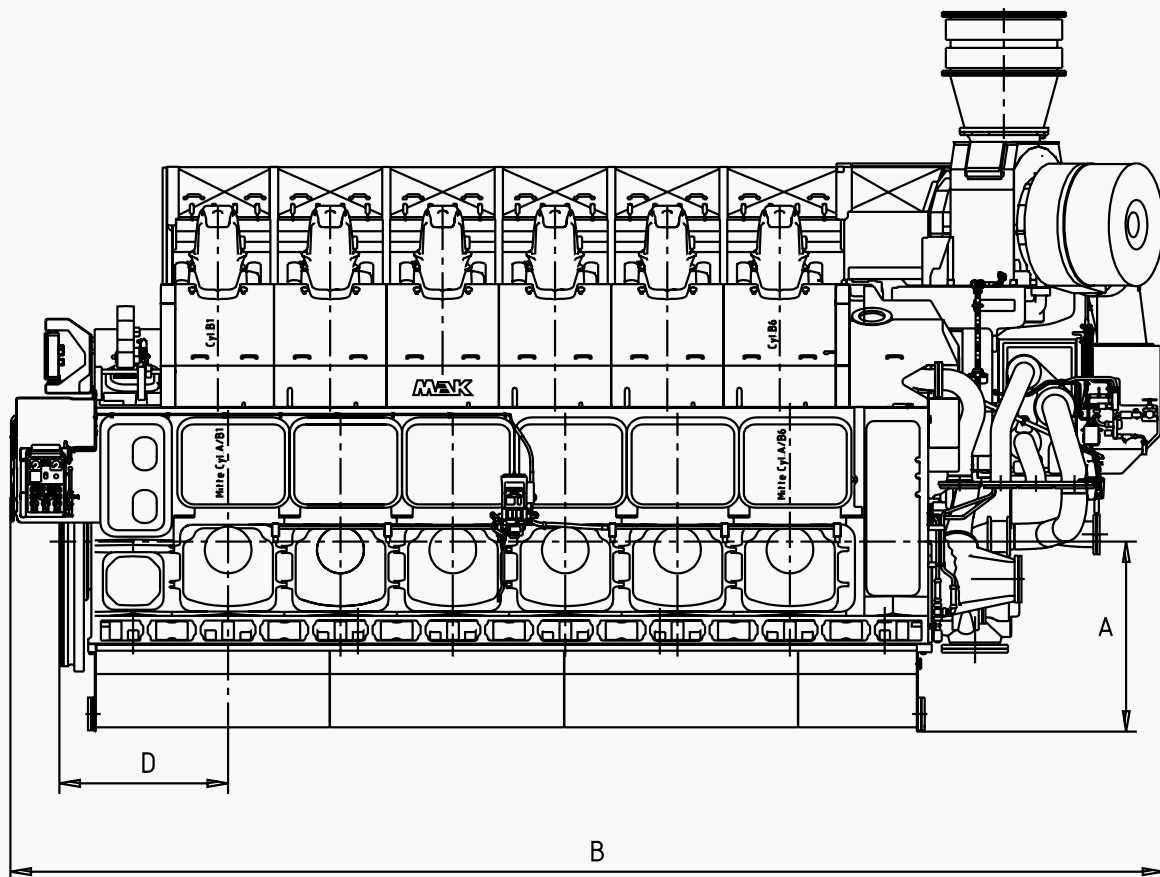
VM 43 C



Propulsion Engine

DIMENSIONS (mm) AND WEIGHTS (t)

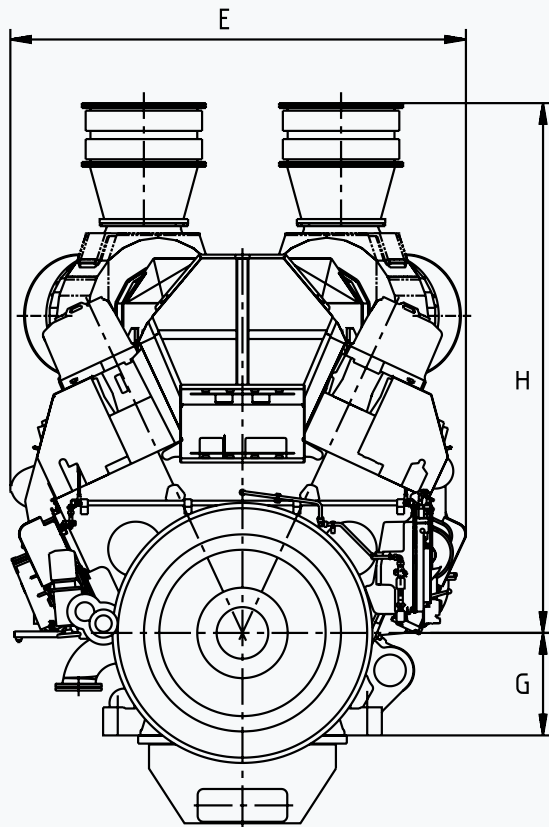
Type	A	B	D	E	G	H	t
12 M 43 C	1625	9847	1440	3890	875	4524	162.0
16 M 43 C	1625	11943	1440	4027	875	4524	215.0



TECHNICAL DATA

Type	Output range		Speed	Mean eff. pressure	Mean piston speed	Bore	Stroke	Spec. fuel consumption	
	kW	mhp						rpm	bar
12 M 43 C	10800	14690	500	24.4	10.2	430	610	176	175
	10800	14690	514	23.7	10.5	430	610	176	175
	12000	16320	500	27.1	10.2	430	610	177	176
	12000	16320	514	26.4	10.5	430	610	178	177
16 M 43 C	14400	19580	500	24.4	10.2	430	610	176	175
	14400	19580	514	23.7	10.5	430	610	176	175
	16000	21760	500	27.1	10.2	430	610	177	176
	16000	21760	514	26.4	10.5	430	610	178	177

Specific lubricating oil consumption 0.6 g/kWh, ± 0.3 g/kWh
 LCV = 42700 kJ/kg, without engine-driven pumps, tolerance 5%



Engine centre distance: 4500 mm

Removal of cylinder liner:
 in transverse direction 3700 mm

Nozzle position: ask for availability

This engine is only available with dry oil sump

Engine with turbocharger at flywheel end available, ask for dimensions