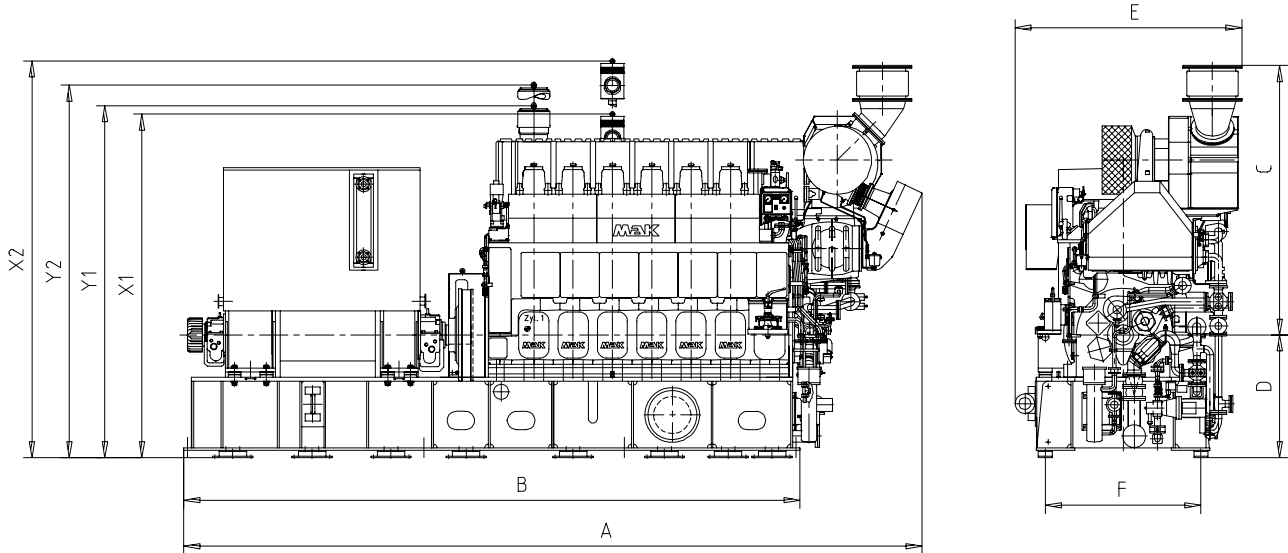


6. Genset dimensions and weights



Type	Dimensions [mm]						Dry weight	
	A ¹⁾	B	C	D	E	F	Engine [t]	Genset ¹⁾ [t]
6 M 25 C	8070	6735	2950	1340	2479	1700	21	44
8 M 25 C	9130	7795	3097	1340	2534	1700	28	49
9 M 25 C	9460	8125	3097	1340	2534	1700	30	54

¹⁾ Dependent on generator make/type

Removal of:

Piston

- in transverse direction X1 = 3760 mm
- in longitudinal direction X2 = 4340 mm
- in transverse dir. reduced X1 red. = 3640 mm

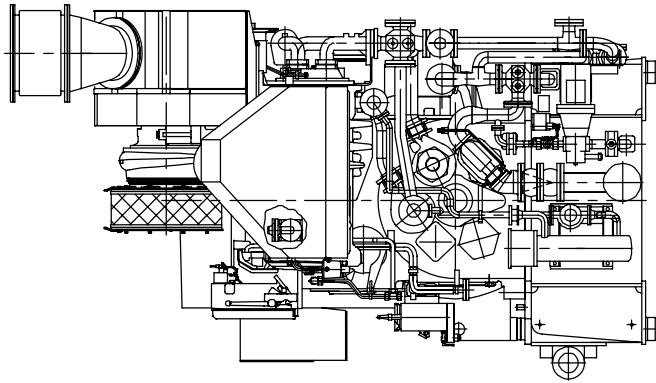
Cylinder Liner

- in transverse direction Y1 = 3850 mm
- in longitudinal direction Y2 = 4075 mm
- in transverse dir. reduced Y1 red. = 3640 mm

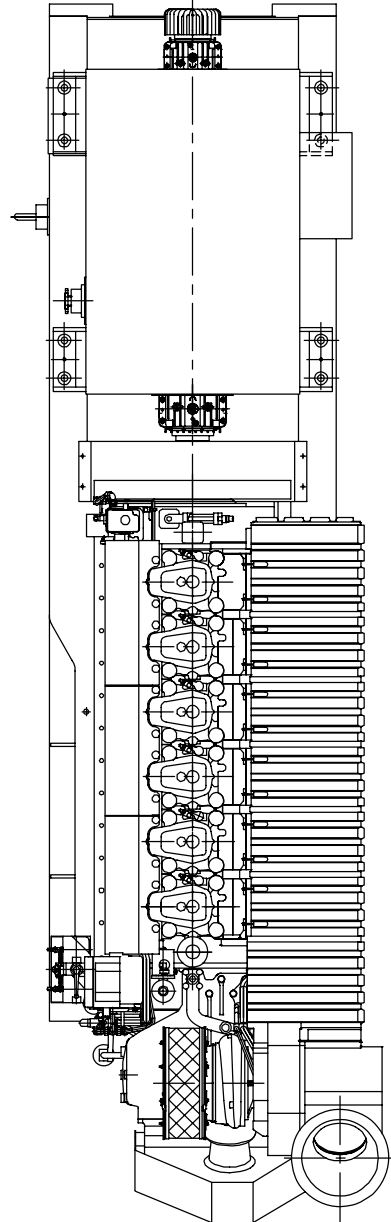
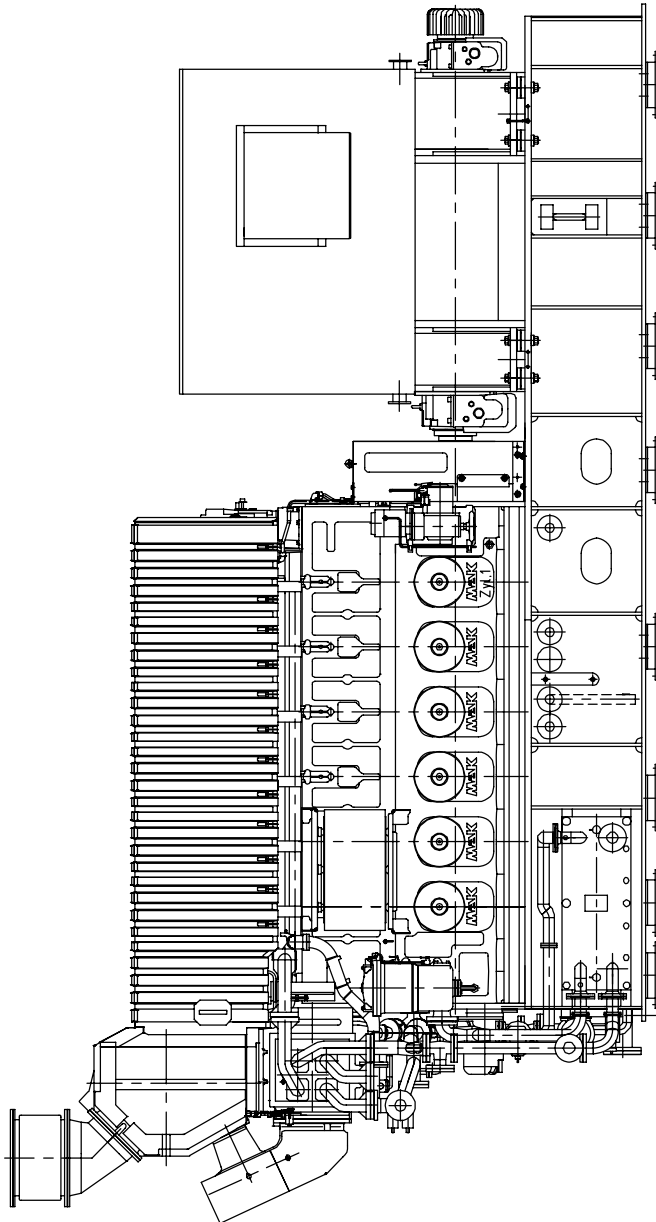
Reduced removal height with special tools only.

Genset centre distance Minimum 2700 mm (2 gensets side by side)

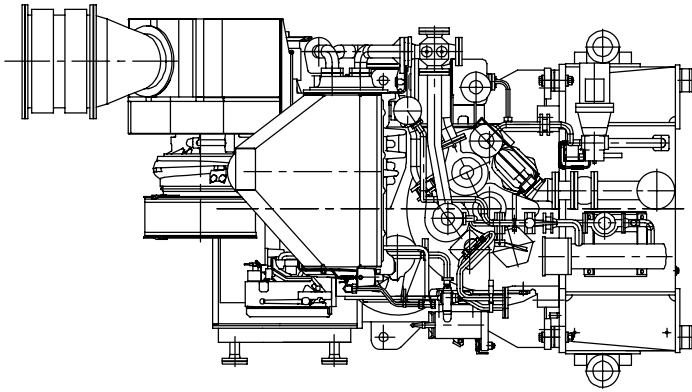
6. Genset dimensions 6 M 25 C



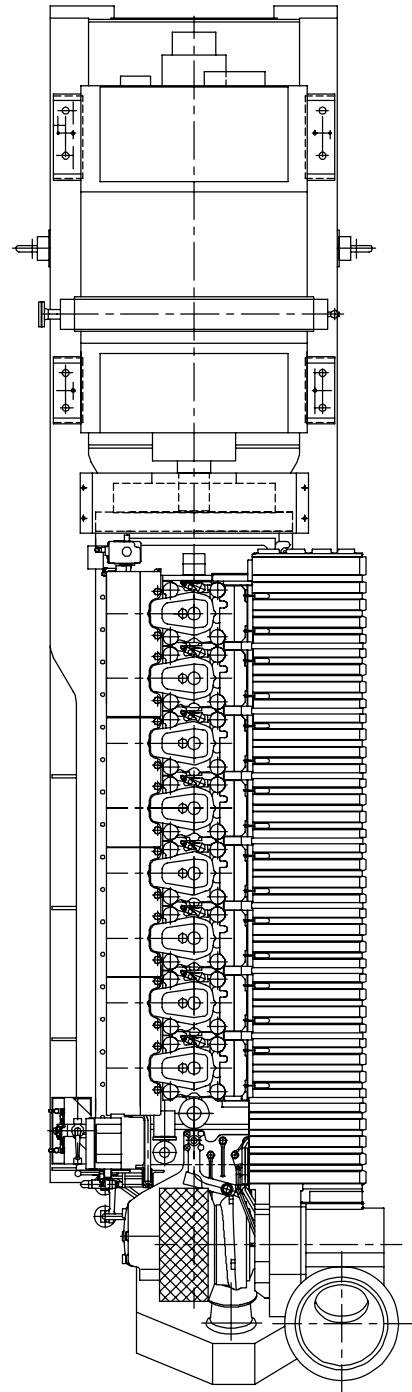
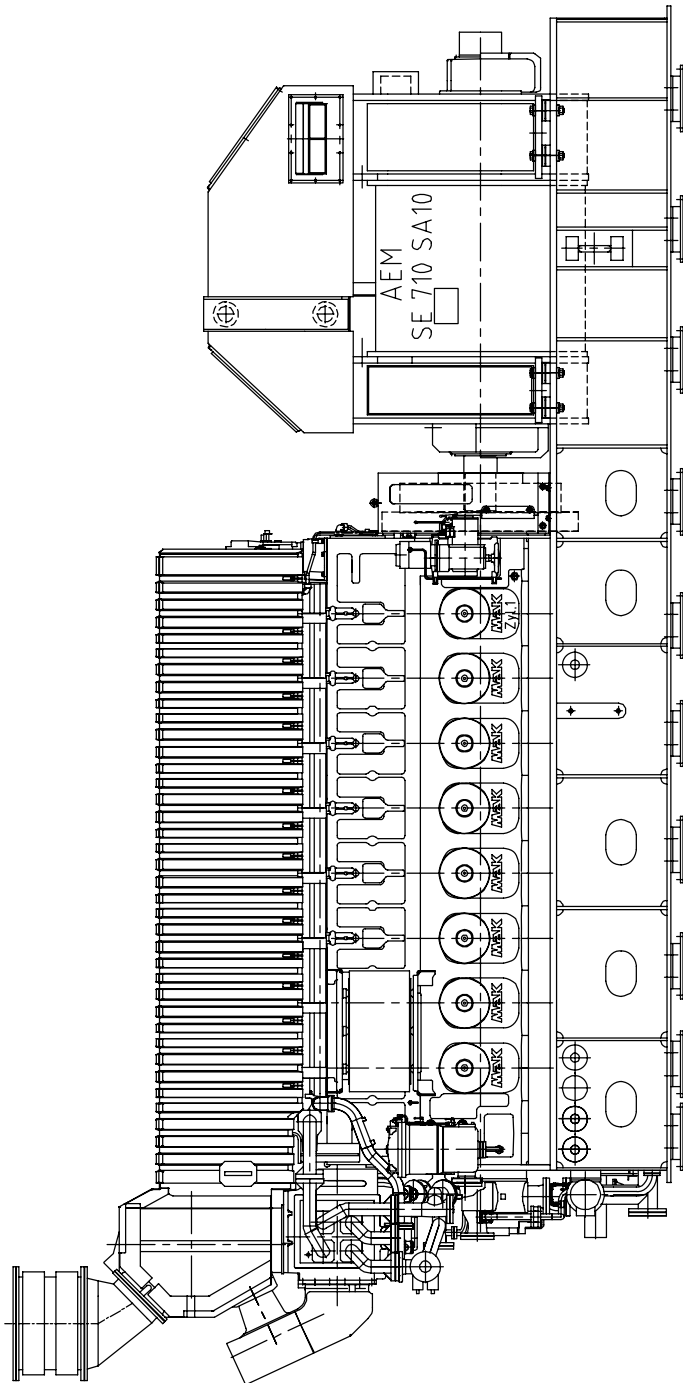
Scale 1 : 50



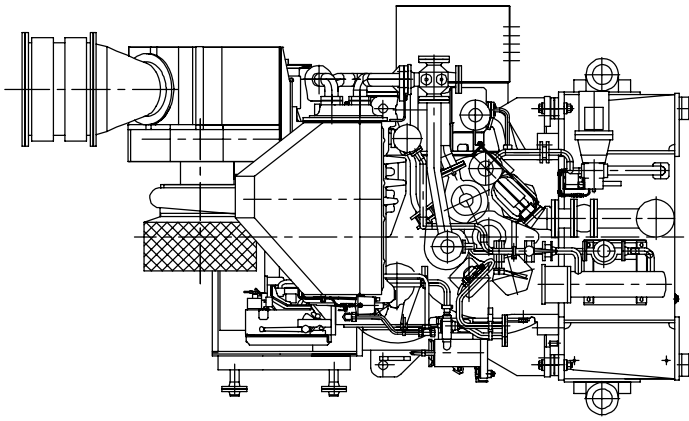
6. Genset dimensions 8 M 25 C



Scale 1 : 50



6. Genset dimensions 9 M 25 C



Scale 1 : 50

