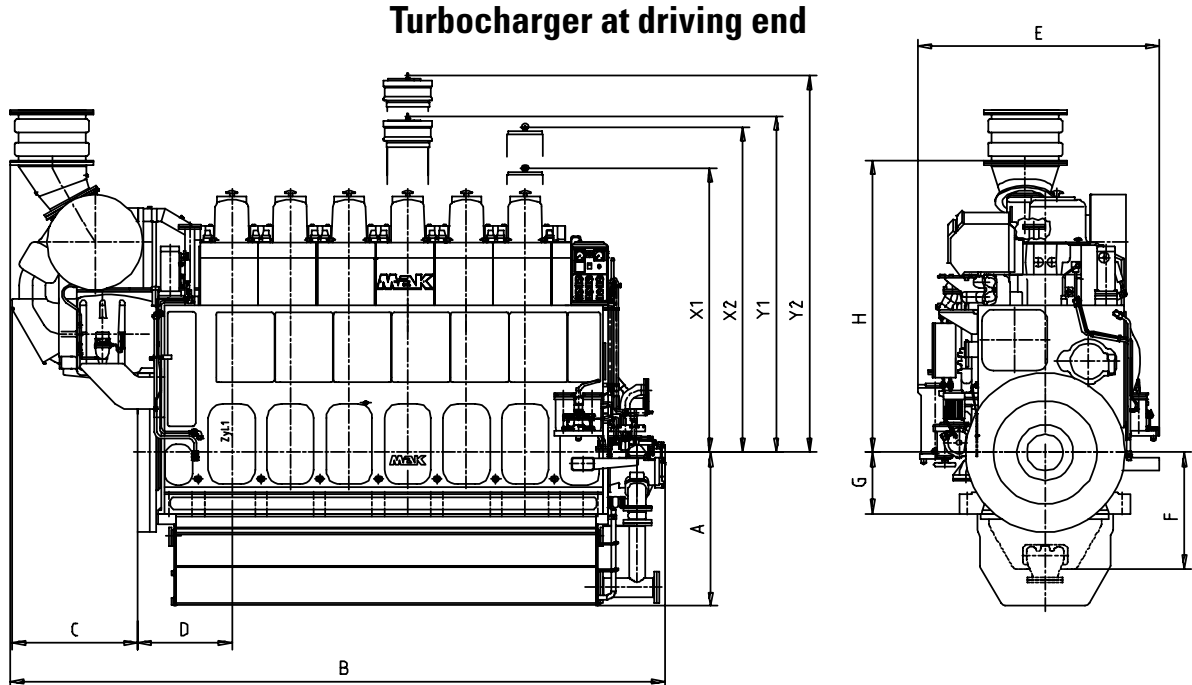


## 6. Engine dimensions



Engine Type	Dimensions [mm]								Dry weight with flywheel
	A	B	C	D	E	F	G	H	[t]
6 M 32 C	1387	5921	1137	852	2177	1052	550	3094	37.5
8 M 32 C	1387	7061	1185	852	2177	1052	550	3446	46.4
9 M 32 C	1387	7591	1185	852	2177	1052	550	3446	49.4

### Removal of:

**Piston** in transverse direction X1 = 2570 mm  
in longitudinal direction X2 = 2940 mm

**Cylinder Liner** in transverse direction Y1 = 3040 mm  
in longitudinal direction Y2 = 3405 mm  
in transverse dir. reduced Y1 red = 2940 mm

Reduced removal height with special tools only.

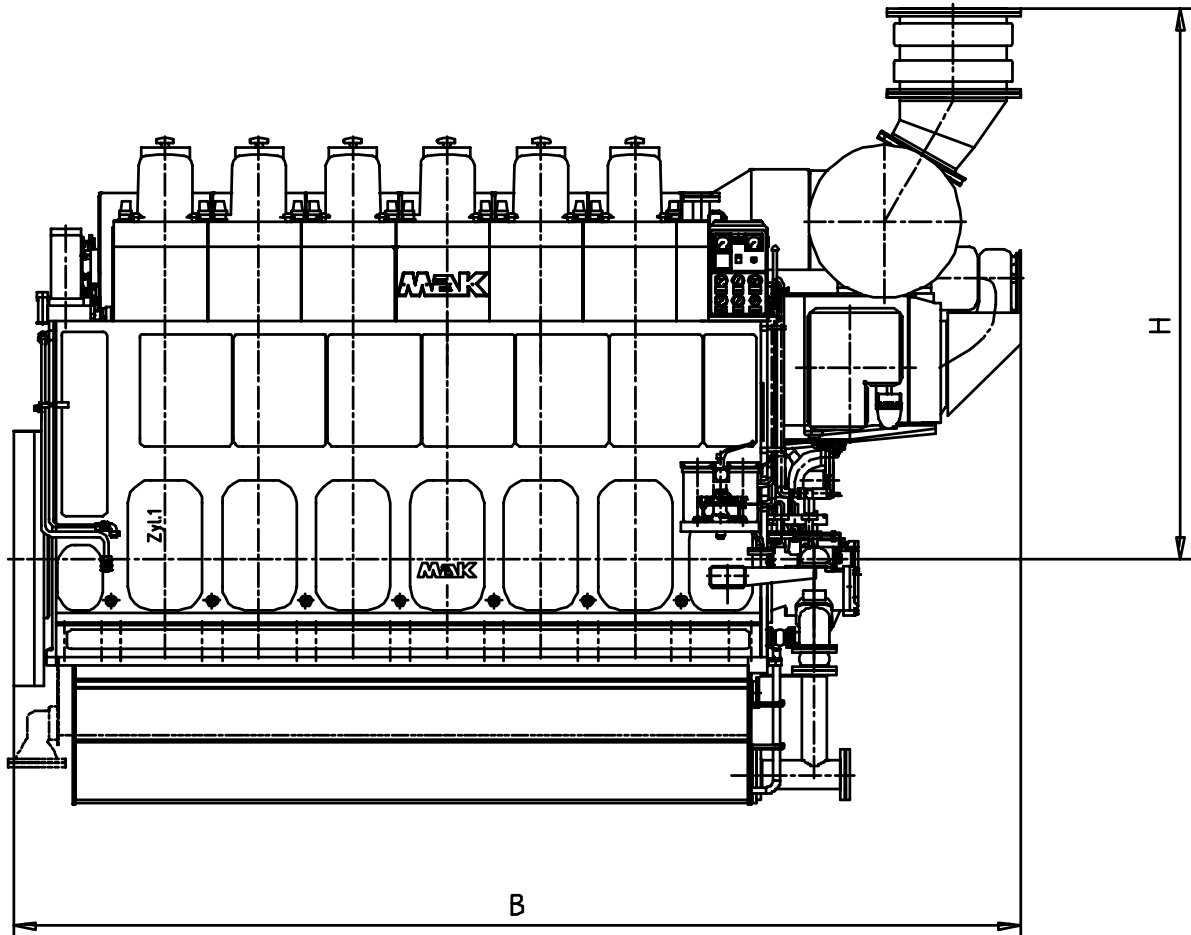
**Engine centre distance** (2 engines side by side), T. C. on driving end

Recommended 2800 mm Minimum 2600 mm  
(Minimum width at fuel oil filter level approx. 500 mm)

M 32 C Propulsion

## 6. Engine dimensions

Turbocharger at free end



Engine Type	Dimension [mm]	
	B	H
6 M 32 C	5677	3096
8 M 32 C	6876	3442
9 M 32 C	7406	3442

### Engine centre distance

(2 engines side by side), T. C. on free end

Recommended 2800 mm

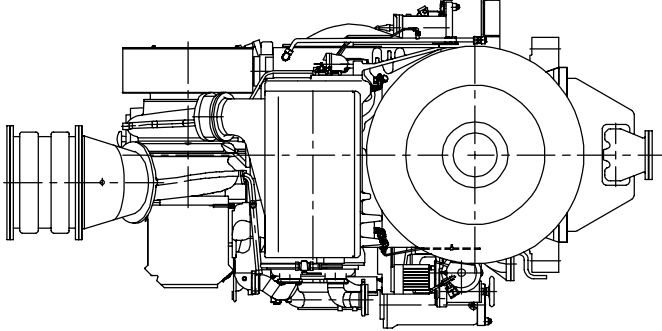
Minimum 2600 mm

(Minimum width at fuel oil filter level approx. 500 mm)

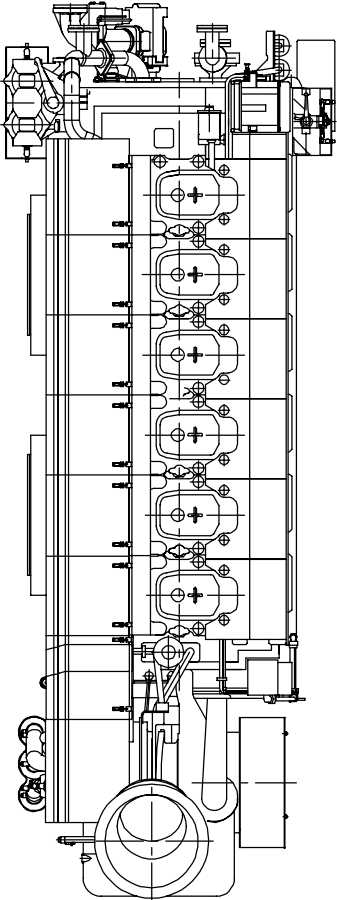
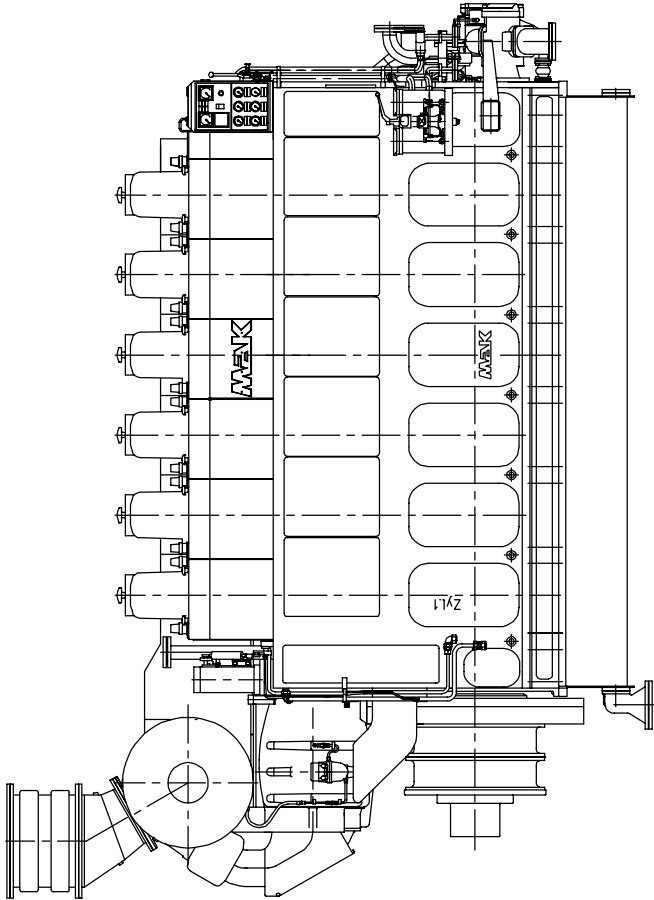


# 6. Engine dimensions

6 M 32 C, Turbocharger at driving end



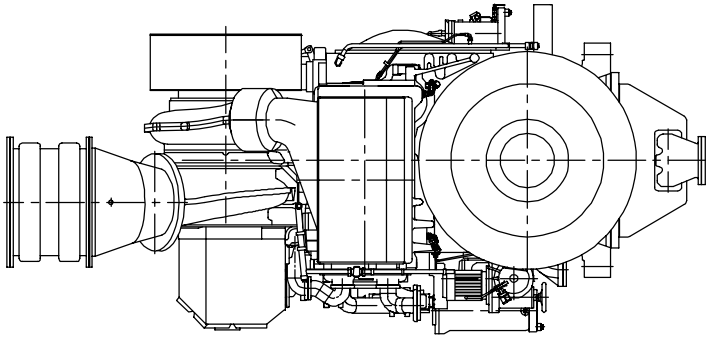
Scale 1:50



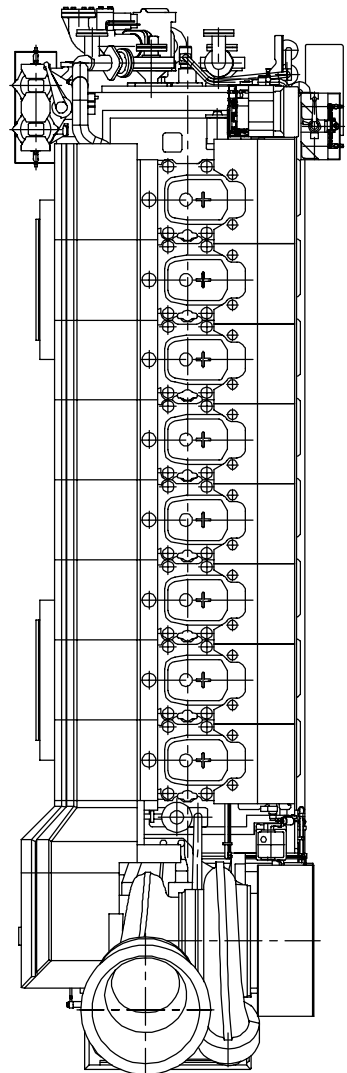
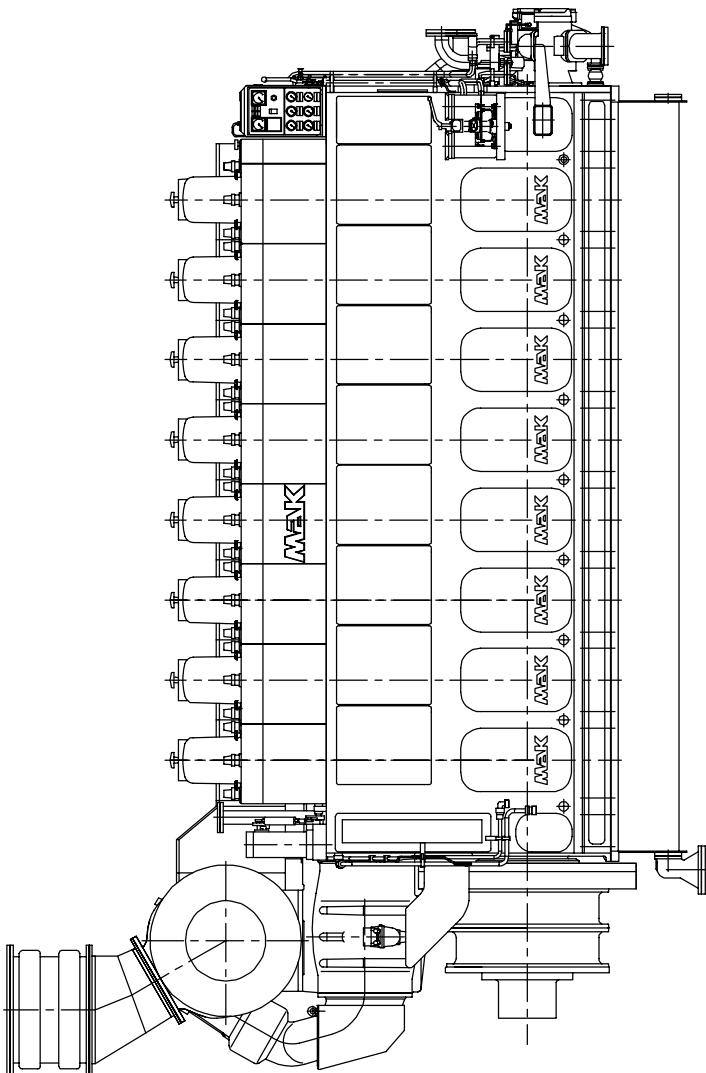


## 6. Engine dimensions

8 M 32 C, Turbocharger at driving end



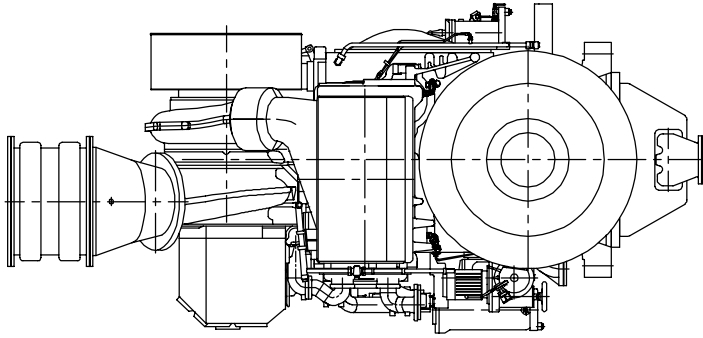
Scale 1:50



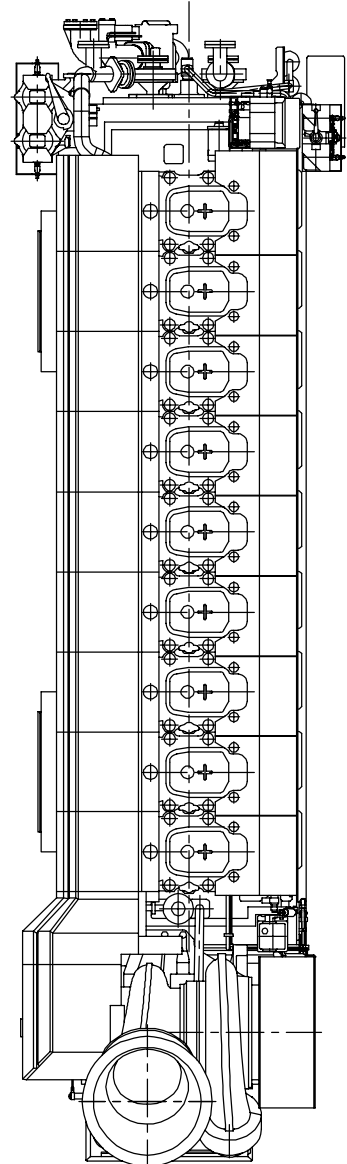
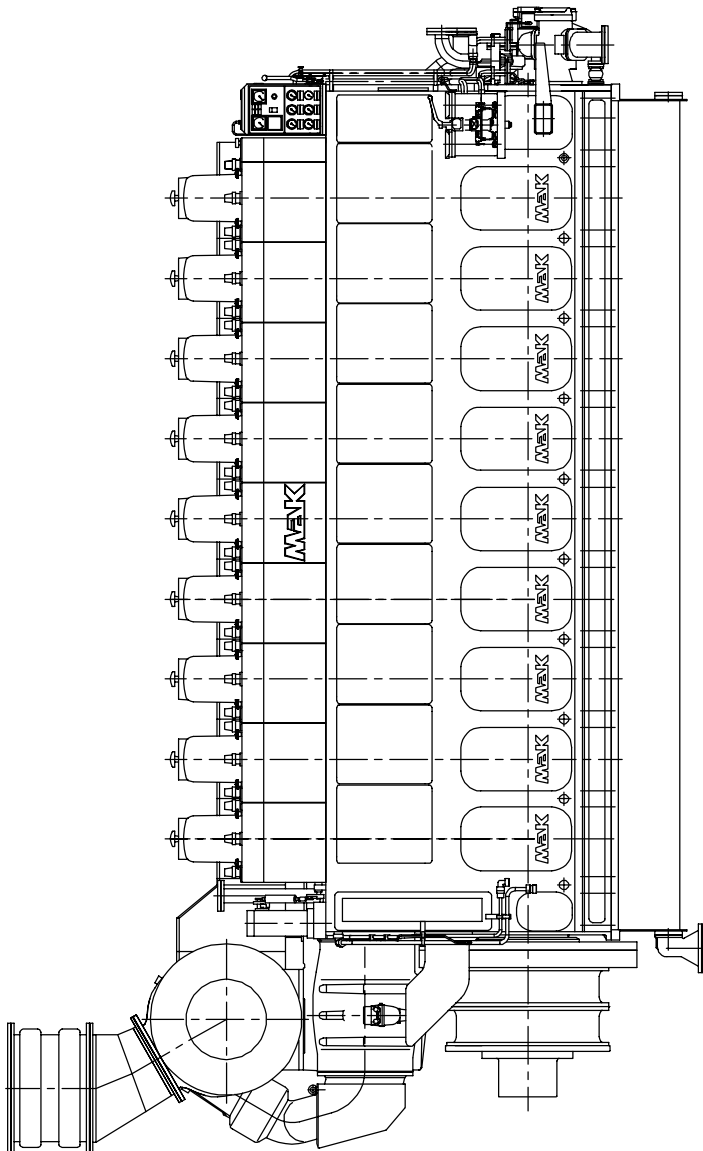


## 6. Engine dimensions

9 M 32 C, Turbocharger at driving end



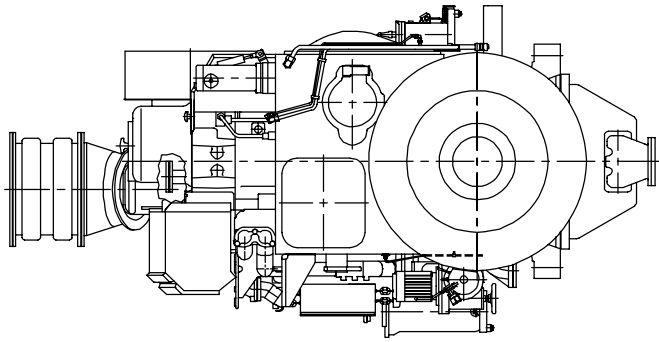
Scale 1:50



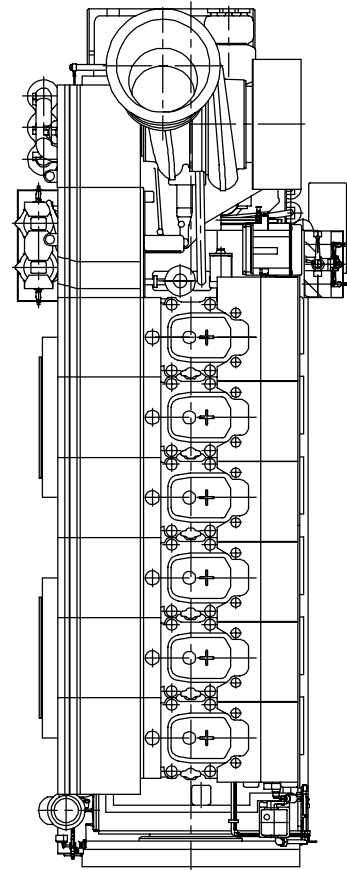
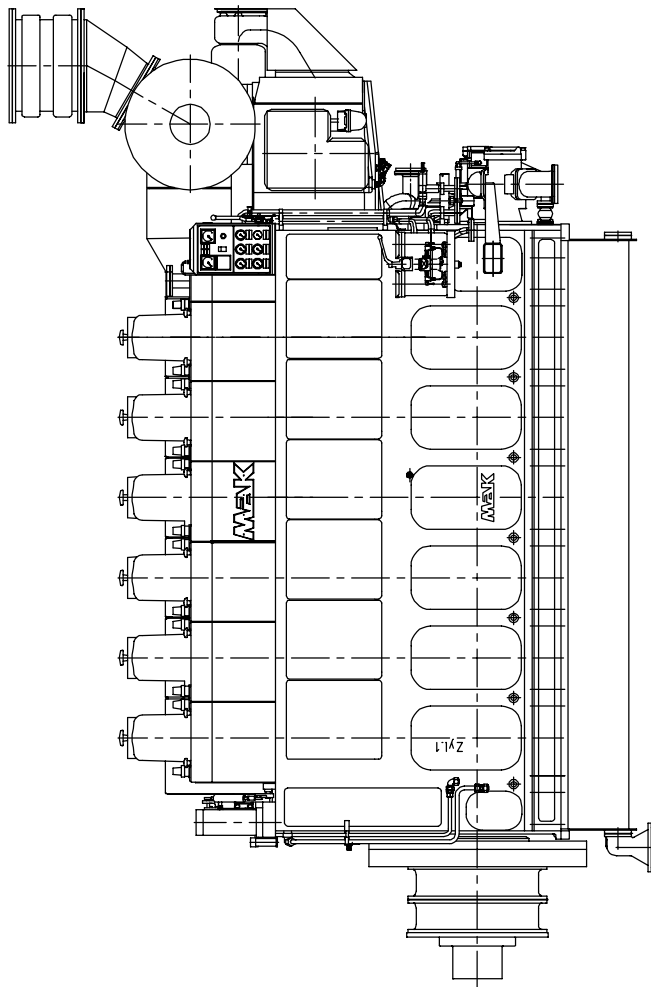


## 6. Engine dimensions

6 M 32 C, Turbocharger at free end



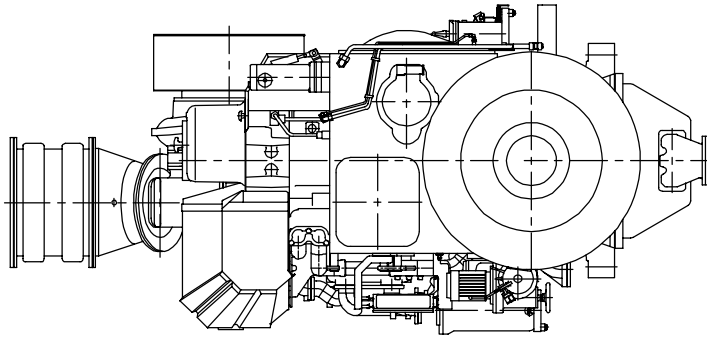
Scale 1:50



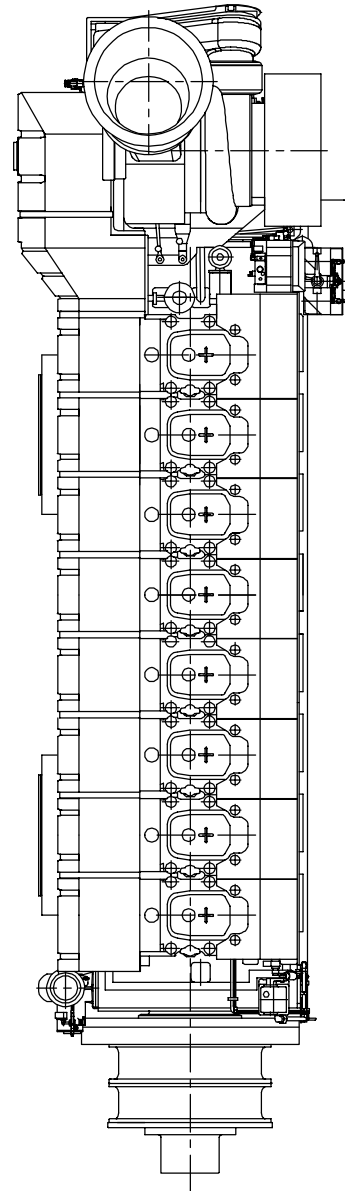
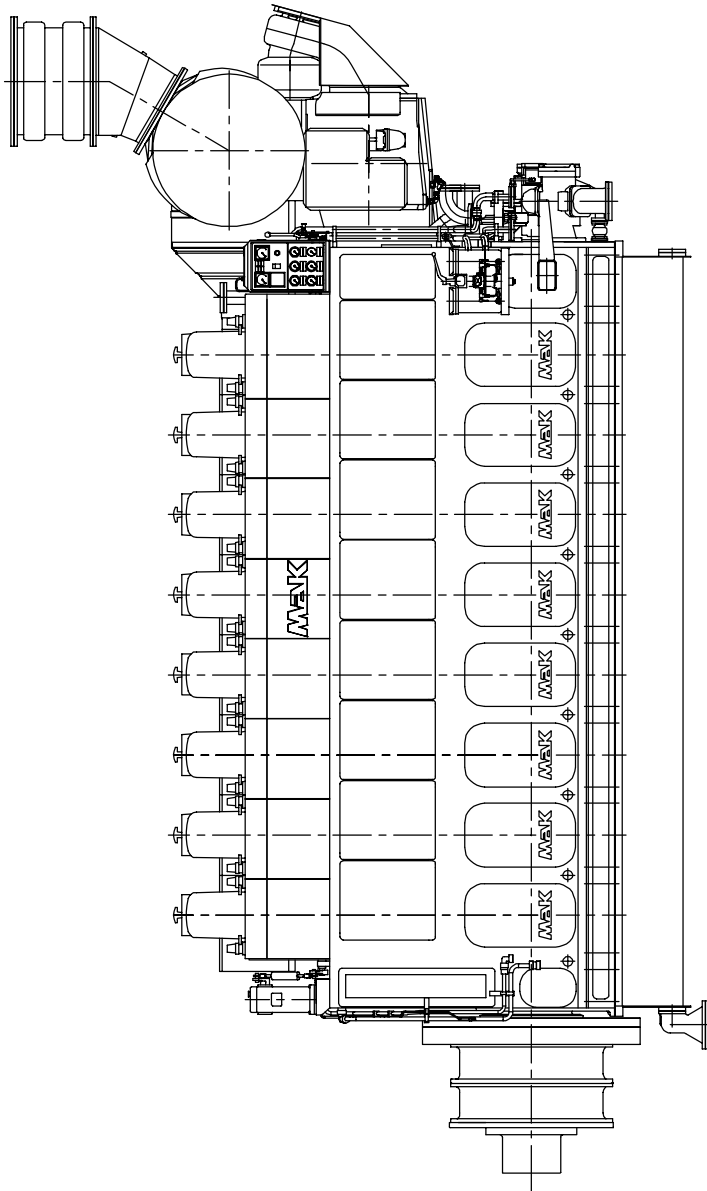


## 6. Engine dimensions

8 M 32 C, Turbocharger at free end



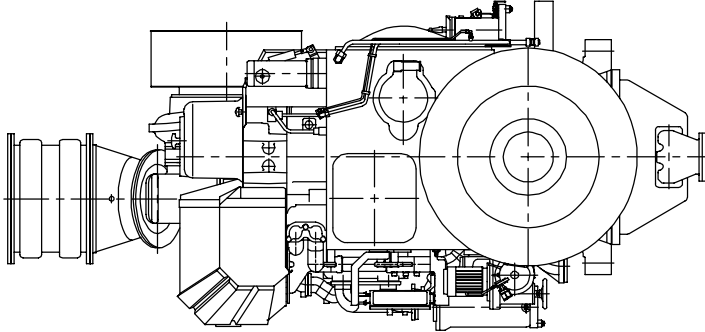
Scale 1:50





## 6. Engine dimensions

9 M 32 C, Turbocharger at free end



Scale 1:50

